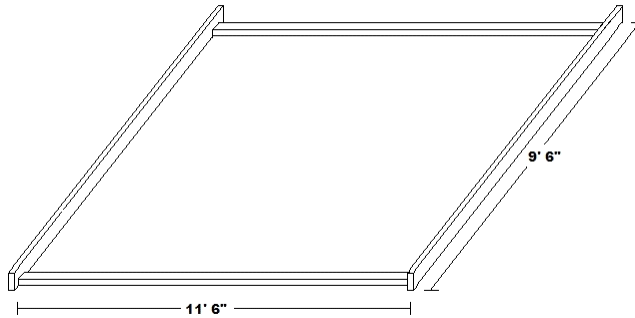
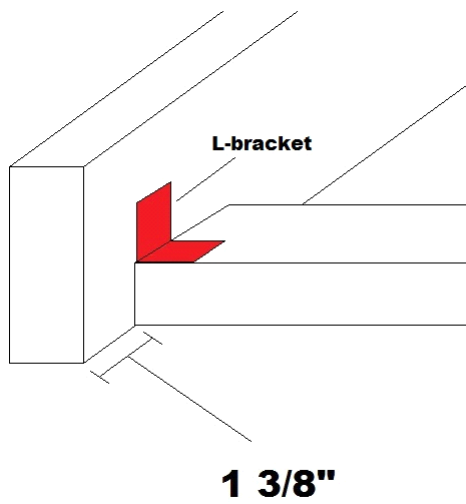
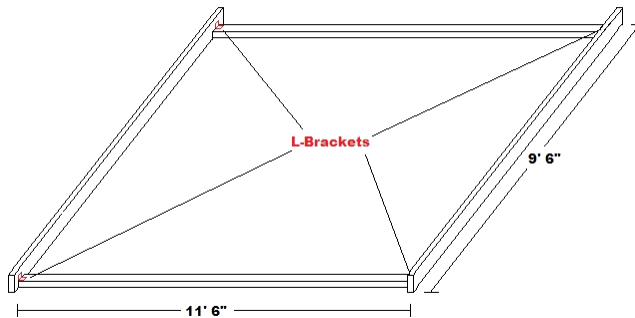


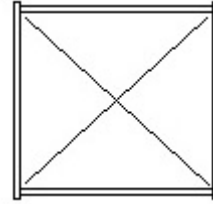
12x10 Greenhouse Assembly Instructions

1. Select relatively flat, semi-level area(perfectly level areas do not drain well)
2. Cut 2x4s for frame(ends - 2 @ 11' 6", sides - 2 @ 9' 6")

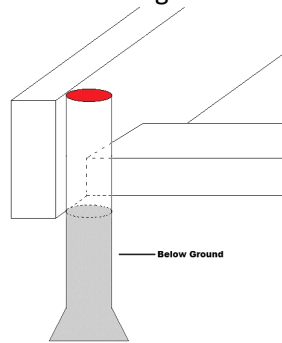
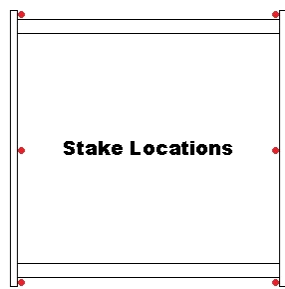


3. Assemble frame as shown in diagram with 3" deck screws and L-brackets

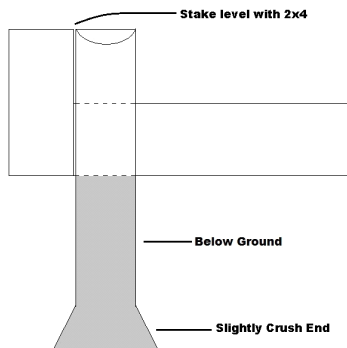




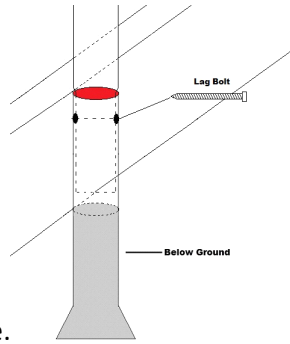
4. Measure each corner-to-corner to make sure frame is square
5. Dig post holes at each corner - 6" deep, 8" diameter
6. Using hammer, slightly crush one end of stake
7. Hammer in crushed end of stakes as noted in diagram



8. Hammer all stakes level with top of frame

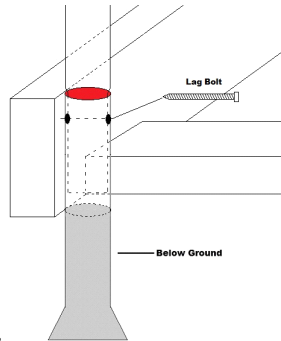


9. Assemble bows with hardware provided
10. Insert center bow and drill through stakes into wood frame(pre-drill for lag bolts). Insert



lag bolts - 1 per stake.

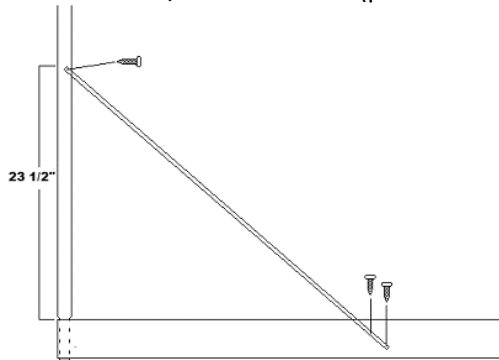
11. Insert end bow(end wall) and drill through stakes into wood frame(pre-drill for lag



bolts). Insert lag bolts - 1 per stake.

12. Cut 10' EMT conduit in half for wind bracing(two 5' pieces)

13. Connect one end of wind bracing to frame with 1 1/2" self-tapping screw - 23 1/2" high
Keeping the bow
straight, connect other end to frame side with two 1 1/4" deck screws(pre-drill holes)



14. Connect wind bracing on other side

15. Repeat steps 11 through 14 for opposite end wall

16. Measure from center to center of end bows

Cut 3 pieces of EMT conduit to same measurement for purlin

17. Using 1 1/2" self-tapping screws, connect purlin(1 in center, 2 on sides at 24" high - just above wind bracing)

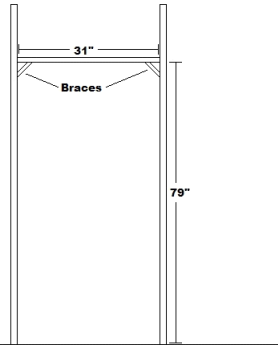
Attaching center purlin first, connect to end bow - center bow - end bow.

(Hint - If assembling alone, mark center of purlin and attach to center bow first)

18. Cut and assemble door frames.

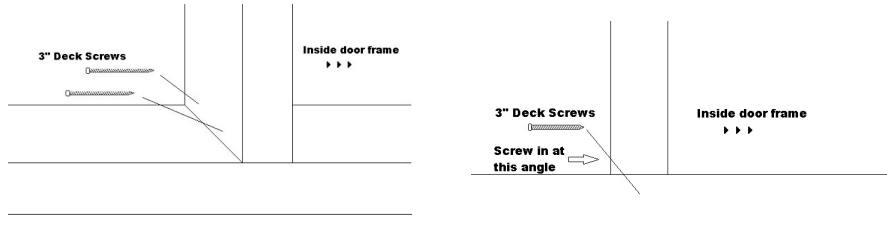
Cut 2x4 @ 31" for door header

Attach bottom of door header @ 79" high



Cut and attach 45 deg bracing

Center door frame - mark and cut top of door posts just below flush with bow
Attach door frame to door sill with 3" deck screws



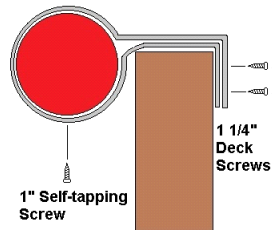
Using plumber's tape, attach top of door posts to bow.

Wrap plumber's tape around bow.

Put both ends together, wrap over top and down side of door post.

Using 1 1/4" deck screws, attach plumber's tape to door post.

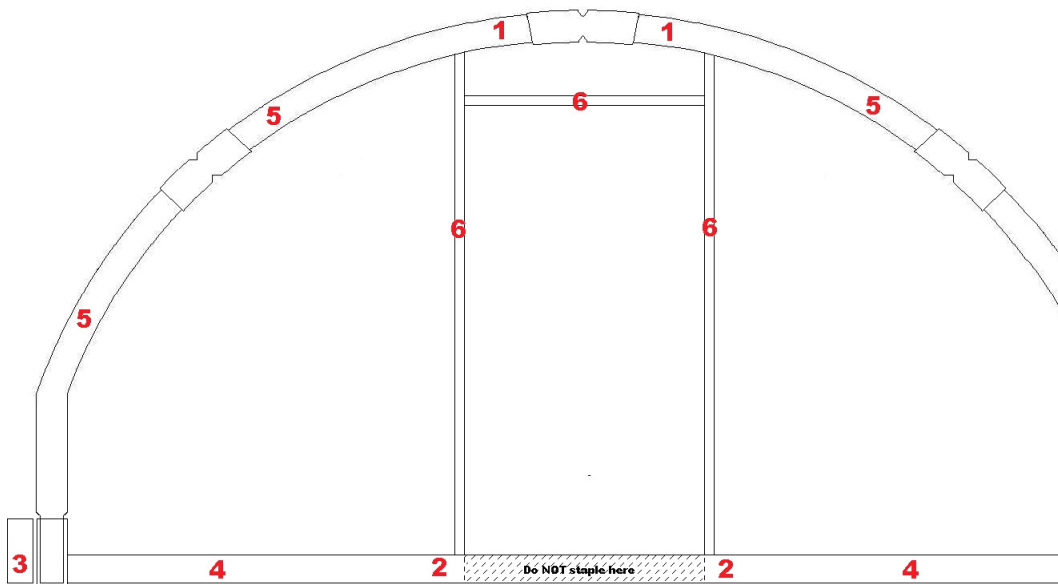
Using 1" self-tapping screw, attach plumber's tape to bottom of bow



19. Cut enough plastic for end wall(at least 12' x 8' recommended)

20. Using provided clips, attach plastic to bow

- 1 Starting at center, clip plastic to bow(leave enough plastic to reach ground)
- 2 Using staple gun, pull tight and staple plastic at bottom of each door post.
- 3 Pull plastic tight to corners and staple corners
- 4 Staple along bottom of frame (Do NOT staple to door sill)
- 5 Pull remaining plastic tight - attach to bows with minimal clips
- 6 Staple plastic around door frame



If using screen door, cut plastic flush with door frame(plastic cut out will be used to cover screen door)

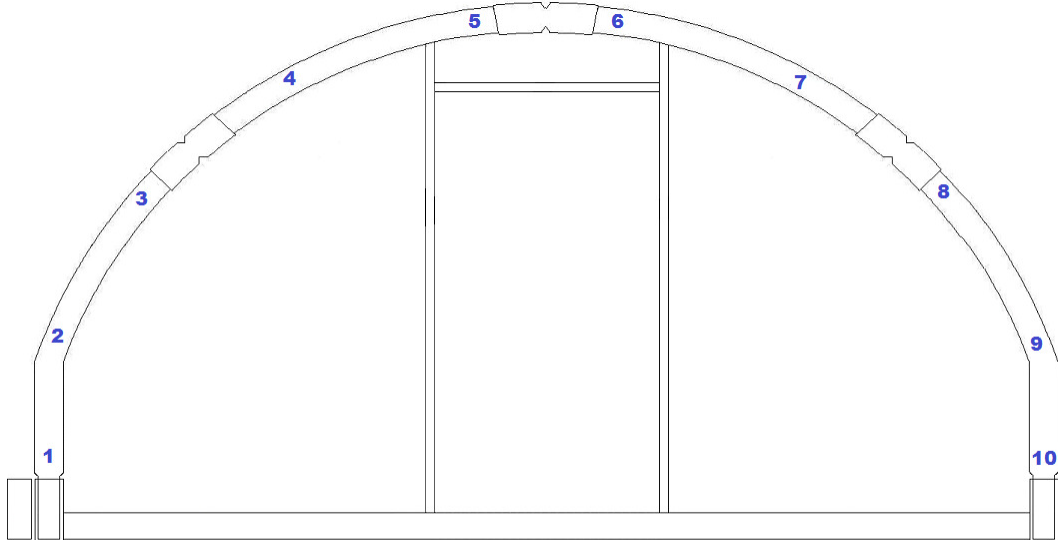
Hang screen door with 1/2" over lap with plastic attached(if using)

21. Repeat for opposite end wall

22. Cut enough plastic for top(at least 25' x 12' recommended)

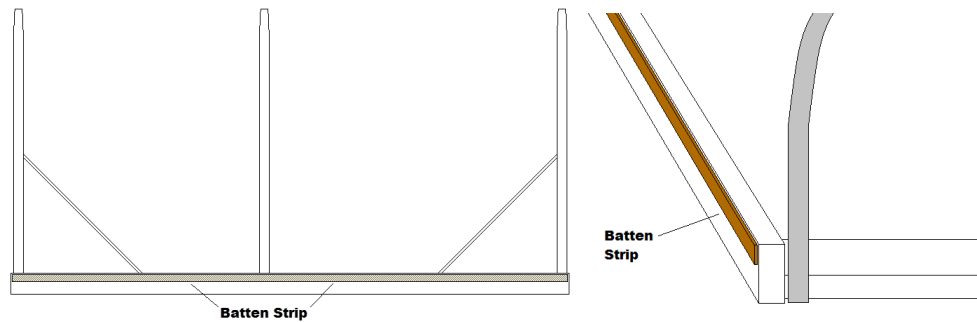
23. Pull plastic over top.

24. With someone inside keeping end wall plastic tight, one at a time, remove clips and clip top plastic (overlapping end wall plastic), while pulling tight down towards corners. Place clips in **noted locations**.



25. Repeat for opposite side, pulling plastic tight towards end.

26. Pull plastic tight on sides, staple to side of frame
Repeat for opposite side
Staple or screw batten strips over plastic



27. Mix and pour concrete into corner post holes.

28. Enjoy greenhouse!